



商用组合式方冰制冰机
COMMERCIAL MODULAR CUBER

IM-220AA
IM-220AWA

使用说明书 INSTRUCTION MANUAL



- 使用说明书是本产品不可分割的重要组成部分，用户须妥善保管。
- 请务必仔细阅读本使用说明书中描述的指南和警告事项，因为这些指南和警告事项为安装人员 / 用户提供了正确安装、持续安全地使用和保养本产品所需的重要信息。
- 请妥善保管本使用说明书，以便必要时参考使用。
- This booklet is an integral and essential part of the product and should be kept and preserved by the user.
- Please read carefully the guidelines and warnings contained herein as they are intended to provide the installer/user with essential information for the proper installation and the continued safe use and maintenance of the product.
- Please preserve this booklet for any further consultation that may be necessary.

生产商：**星崎电机(苏州)有限公司**
Manufacturer: **HOSHIZAKI (SUZHOU) CO., LTD.**

L1M028305 (062317)

中文	重要安全须知	1
	I. 安装说明	2
	1. 构造	2
	2. 附件	2
	3. 拆包	2
	4. 位置	3
	5. 安装	4
	6. 电气连接	5
	7. 供水和排水连接	5
	II. 操作说明	7
	1. 启动	7
	2. 长时间不使用制冰机时	7
	III. 保养	8
	1. 清洁	8
	2. 联系维修机构前	9
	3. 废弃处理	9
	4. 保修	9
	规格	9
 ENGLISH	 IMPORTANT SAFETY INFORMATION	 10
	I. INSTALLATION INSTRUCTIONS	11
	1. CONSTRUCTION	11
	2. ACCESSORIES	11
	3. UNPACKING	11
	4. LOCATION	12
	5. INSTALLATION	13
	6. ELECTRICAL CONNECTIONS	14
	7. WATER SUPPLY AND DRAIN CONNECTIONS	14
	II. OPERATING INSTRUCTIONS	16
	1. START UP	16
	2. PREPARING THE ICEMAKER FOR LONG STORAGE	16
	III. MAINTENANCE	17
	1. CLEANING	17
	2. BEFORE CALLING FOR SERVICE	18
	3. DISPOSAL	18
	4. WARRANTY	18
	SPECIFICATIONS	19

ENGLISH

IMPORTANT SAFETY INFORMATION

Throughout this manual, notices appear to bring your attention to situations which could result in death, serious injury, or damage to the unit.

▲WARNING	Indicates a hazardous situation which, if not avoided, could result in death or serious injury.
▲CAUTION	Indicates a hazardous situation which, if not avoided, could result in minor or moderate injury.
NOTICE	Indicates a hazardous situation which, if not avoided, could result in damage to the unit.
▲HYGIENE	Indicates important precautions for hygiene and food safety.
IMPORTANT	Indicates important information about the use and care of the unit.

IMPORTANT

This booklet is an integral and essential part of the product and should be kept and preserved by the user.

Please read carefully the guidelines and warnings contained herein as they are intended to provide the installer/user with essential information for the proper installation and the continued safe use and maintenance of the product.

Please preserve this booklet for any further consultation that may be necessary.

▲WARNING

This is a commercial icemaker, and should be destined only to be used for the purpose for which it has been expressly designed and attached to a suitable storage bin as specified by Hoshizaki.

Any other use should be considered improper and therefore dangerous. The manufacturer will not be held liable or responsible for any damage caused by improper, incorrect and unreasonable use.

The installation, and relocation if necessary, must be carried out by qualified personnel, in accordance with current regulations, according to the manufacturer's instructions.

Keep ventilation openings, in the appliance enclosure or in the built-in structure, clear of obstruction.

The use of any electrical appliance involves the observance of some fundamental rules. In particular:

* Instances of high humidity and moisture increase the risk of electrical short circuits and potential electrical shocks. If in doubt, disconnect the icemaker.

* Do not damage the power cord or pull it in order to disconnect the icemaker from the electrical supply network.

* Do not touch the electrical parts or operate the switches with damp hands.

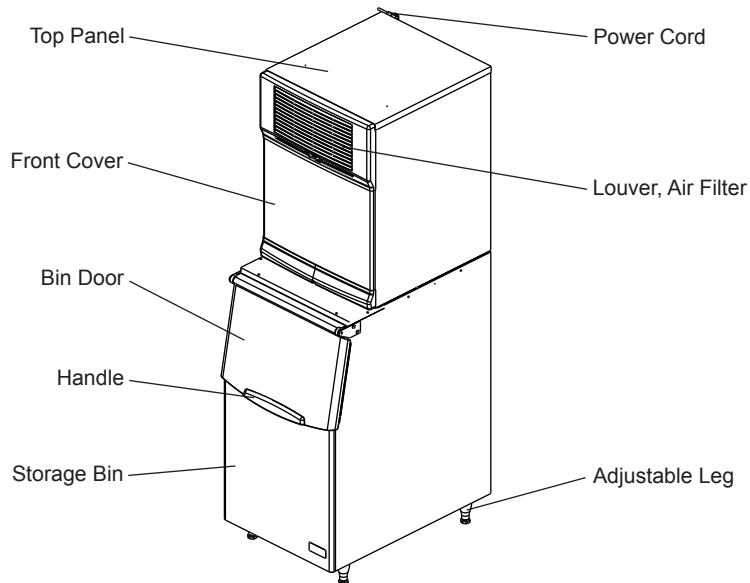
* This appliance is not intended for use by persons (including children) with reduced physical, sensory or mental capabilities, or lack of experience and knowledge, unless they have been given supervision or instruction concerning use of the appliance by a person responsible for their safety.

* Young children should be supervised to ensure that they do not play with the appliance.

* Do not attempt to modify the icemaker. Only qualified personnel may disassemble or repair the appliance.

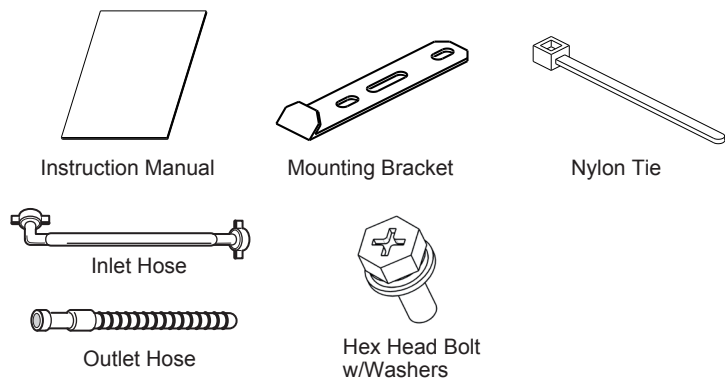
I. INSTALLATION INSTRUCTIONS

1. CONSTRUCTION



2. ACCESSORIES

Instruction Manual	1
Inlet Hose	1
Outlet Hose	1
Mounting Bracket	2
Hex Head Bolt w/Washers	2
Nylon Tie	3



3. UNPACKING

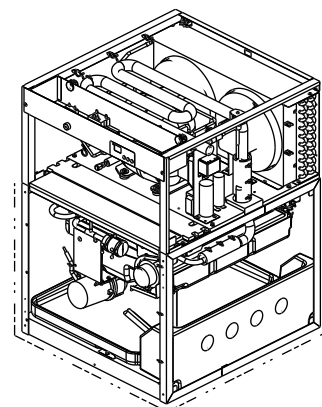
⚠ WARNING

Children should not be allowed in reach of the packaging elements (plastic bags and expanded polystyrene) as they are potential sources of danger.

⚠ CAUTION

Do not lift or manoeuvre the carton by using the shipping bands.

When moving the unit by hand, remove the panels and hold the unit frame where indicated by dashed line.



Always wear protective gloves when carrying the unit.

When handling the carton or the unpacked unit, work in pair to prevent injury.

ENGLISH

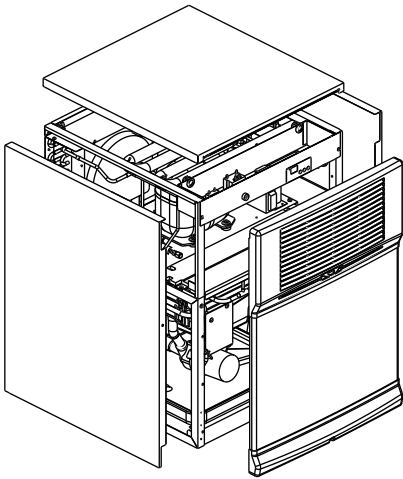
NOTICE

Remove shipping carton, tape(s) and packing. If packing material is left in the icemaker, it will not work properly.

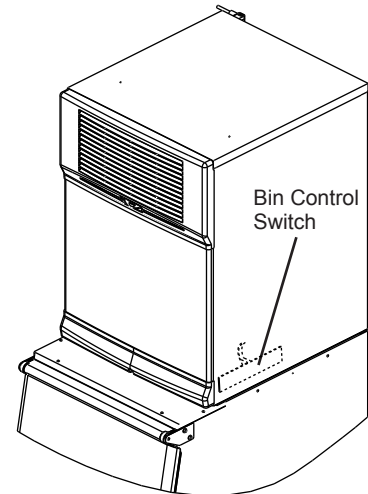
Note: This icemaker needs a storage bin. Hoshizaki recommends the following ice storage bins:

B301SA-----IM-220AA
B501SA (Top Kit 8D) -----IM-220AA
B801SA (Top Kit 4DM)-----IM-220AA x 2

- 1) After removing the packaging, make sure that the icemaker and the storage bin are in good condition. If in doubt, please do not use the icemaker but apply to professionally qualified personnel. See the instruction sheet attached to the storage bin for its unpacking and installation guidelines.
- 2) Remove the icemaker panels to gain access to the accessory kit and to assist easier installation.
- 3) Remove the package of accessories. Check the contents according to "2. ACCESSORIES".
- 4) Remove the shipping tape holding the bin control switch.
- 5) Remove the protective plastic film from the exterior. If the icemaker is exposed to the sun or to heat, remove the film after the icemaker cools.



- a) Front Cover: Remove the screw(s). Lift up and pull toward you.
- b) Top Panel: Lift up the front, and slide backward to unhook the rear.
- c) Rear Panel: Remove the screw(s), and take off.
- d) Side Panel: Remove the screw(s), and take off.



4. LOCATION

⚠ WARNING

This icemaker is not intended for outdoor use.

The icemaker should not be located next to ovens, grills or other high heat producing equipment.

This appliance is not suitable for installation in an area where a water jet could be used.

In some high humidity environments, condensation may form inside the machine and drip onto the floor. Do not install where the floor can be affected by water.

⚠ CAUTION

The location should provide a firm and level foundation for the icemaker.

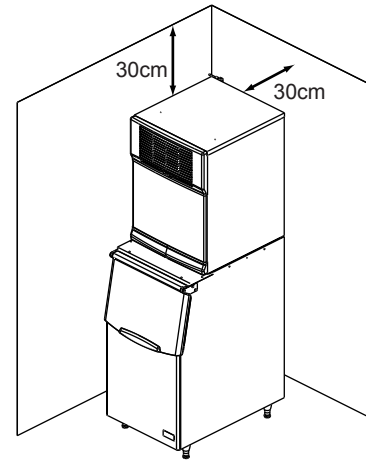
NOTICE

Do not place anything on top of the icemaker or in front of the louver.

IMPORTANT

Normal operating ambient temperature should be within 1°C to 40°C. Normal operating water temperature should be within 5°C to 35°C. Operation of the icemaker, for extended periods, outside of these normal temperature ranges may affect production capacity.

Allow the clearance specified below for proper air circulation and ease of maintenance and/or service should they be required.

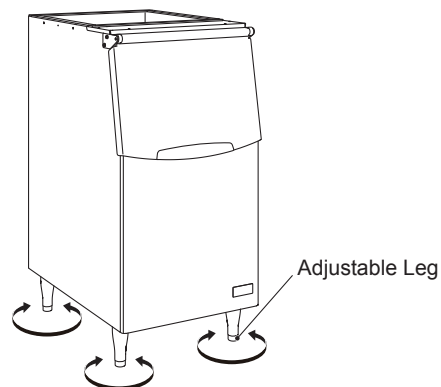
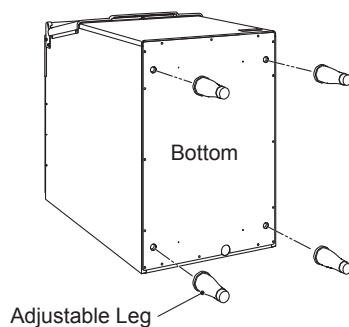


5. INSTALLATION

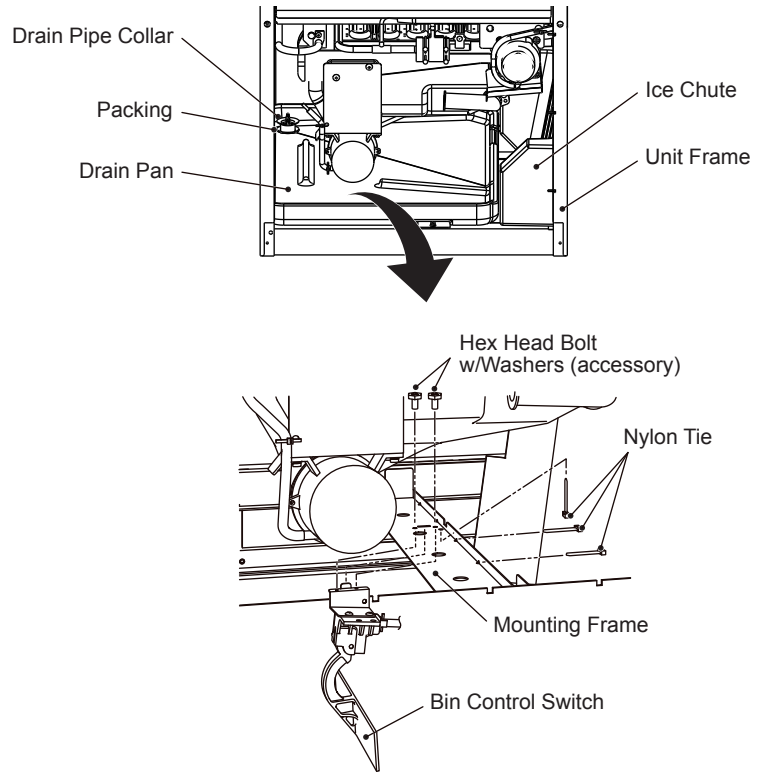
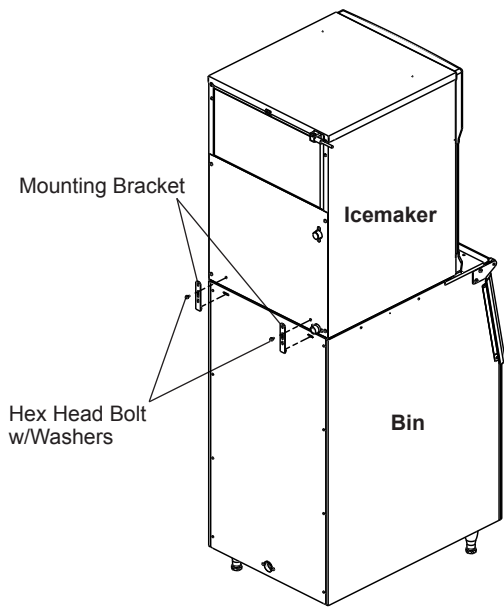
⚠ CAUTION

Incorrect installation can cause harm to people, animals or other items, for which the manufacturer cannot be held responsible.

- 1) Lay the storage bin on its rear side carefully to prevent damage. Secure the four adjustable legs (bin accessory) into the four tapped holes on the underside of the bin.
- 2) Position the storage bin in the selected permanent position, and level it in both the left-to-right and front-to-rear directions.



- 3) Remove the icemaker panels. The rear panel is not required to be removed for installation. See "3. UNPACKING".
- 4) Place the icemaker on the top of the storage bin by holding the bottom.
- 5) Remove the two bolts securing the bottom of the icemaker's rear panel.
- 6) Secure the icemaker to the storage bin at the rear, by using the mounting brackets provided and the bolts removed.
- 7) Seal the seam between the icemaker and the storage bin with food grade sealant.
- 8) Remove the drain pipe collar and drain pan. Secure the bin control switch to the mounting frame using the two bolts provided. Fix the bin control switch wiring with the three nylon ties. Place the ice chute on the unit frame, and refit the drain pan in its correct position.
- 9) Replace the icemaker panels in their correct position.



6. ELECTRICAL CONNECTIONS

⚠ WARNING

THIS APPLIANCE MUST BE EARTHED

This icemaker requires an earth that meets the national and local electrical code requirements.

To prevent possible severe electrical shock to individuals or extensive damage to the unit, install a proper earth wire to the icemaker.

Disconnect the main power supply before any maintenance, repairs or cleaning is undertaken.

- * This appliance requires a separate 220 - 240VAC, 10A supply. The electrical supply must be protected by a suitable circuit breaker.
- * Icemakers installed side by side should each have a separate receptacle, but they must all be connected in parallel to the same single phase supply or circuit with sufficient ampacity.
- * The main control box fuse is rated at 5A and should only be replaced by a qualified service engineer.
- * Usually an electrical permit and services of a licensed electrician are required.
- * If the supply cord is damaged, it must be replaced by a replacement cord available from Hoshizaki Parts/Service Centres.

7. WATER SUPPLY AND DRAIN CONNECTIONS

⚠ WARNING

Connect to potable water supply only.

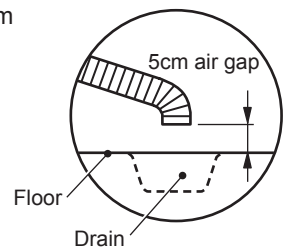
- * The connections to the mains water supply must be made in accordance with the countries' current requirements of the Water Supply or Water Fittings Regulations.
- * Water supply pressure should be minimum 0.07 MPa (0.7 bar) and maximum 0.78 MPa (8 bar). If the pressure exceeds 0.78 MPa (8 bar), use a proper pressure reducing valve. Do NOT throttle back the supply tap.
- * A plumbing permit and services of a licensed plumber may be required in some areas.
- * The icemaker drain is gravity flow, so ensure drain pipe has an adequate pitch or fall.

* Drain lines should not be piped directly to the sewer system. A vertical air gap of a minimum of 5 cm should be between the end of the drain pipes from the icemaker and storage bin and the floor drain.

* Prevent a backflow into the storage bin.

* On water-cooled model, a back flow preventer may be required in the cooling water circuit.

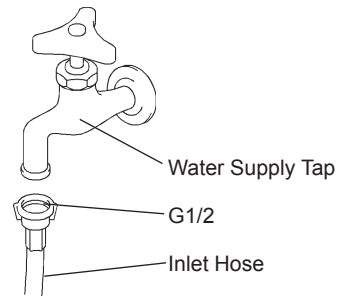
* Be sure to use the new hose-sets supplied with the appliance. Do not reuse any old hose-sets.



1) Attach the angled end of white flexible inlet hose (accessory) to the G3/4 fitting on the rear side of the icemaker as indicated, ensuring rubber sealing washer is correctly positioned. Hand tighten sufficiently to provide leak free joint.

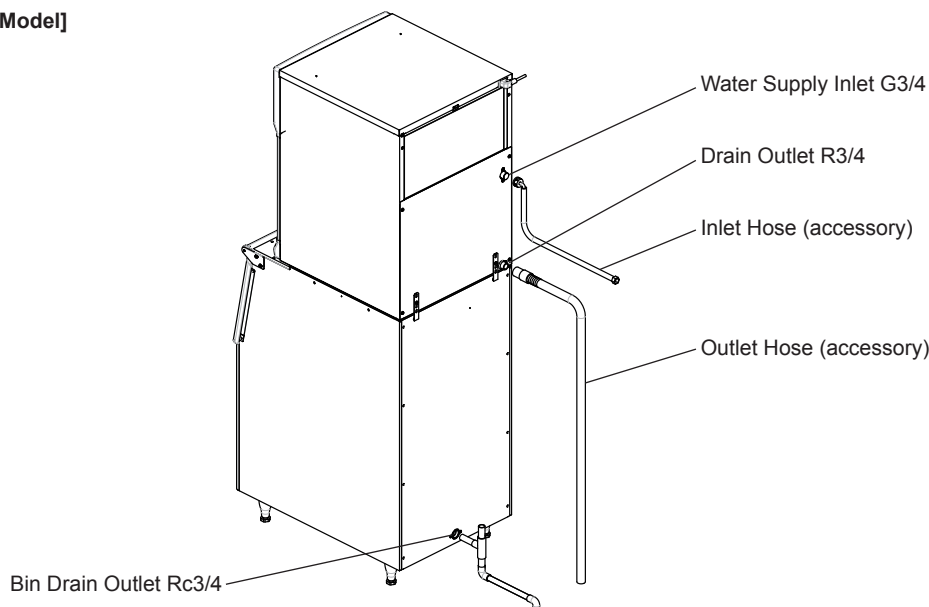
2) Attach the other end of inlet hose to the water tap, noting washer is correctly positioned before hand tightening as above. It is a wise precaution to have a stop valve within easy reach.

3) Hand tighten grey flexible outlet hose (accessory) onto the R3/4 fitting on the rear of the icemaker as indicated, ensuring rubber washer is correctly positioned to obtain a leak free joint. The hose can be cut to length as necessary to suit position of main drain.

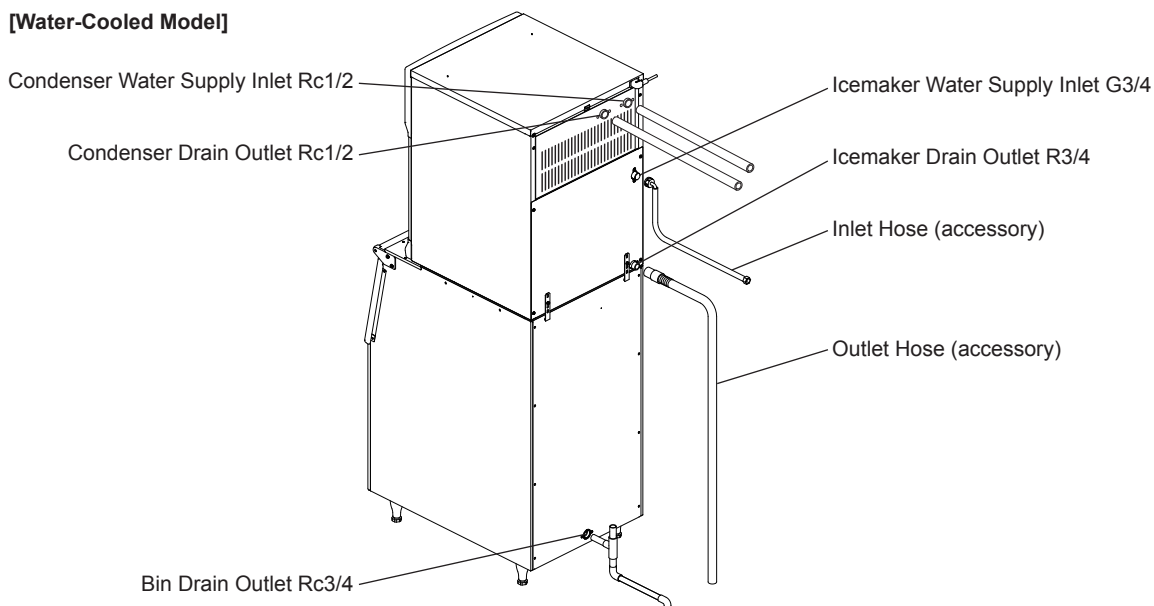


4) On water-cooled model, connect the condenser cooling circuit to the Rc1/2 fittings on the rear of the icemaker as indicated using a suitable rigid type pipe.

[Air-Cooled Model]



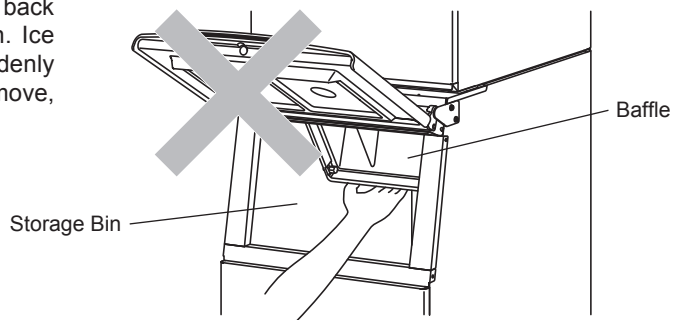
[Water-Cooled Model]



II. OPERATING INSTRUCTIONS

⚠ CAUTION

Do not step into the storage bin, or put your hands into the back of the storage bin or the baffle on top of the storage bin. Ice may drop off the icemaker, a hard block of ice may suddenly break down, or the icemaking mechanism may suddenly move, resulting in injury.



NOTICE

All parts are factory-adjusted. Improper adjustments may result in failure.

If the unit is turned off, wait for at least 3 minutes before restarting the icemaker to prevent damage to the compressor.

⚠ HYGIENE

This icemaker is designed to produce edible ice. To keep the icemaker hygienic:

- * Wash your hands before removing ice. Use the plastic scoop provided (bin accessory).
- * The storage bin is for ice use only. Do not store anything else in the bin nor use other electrical appliances in the bin.
- * Clean the storage bin before use (see "III. 1. CLEANING").
- * Keep the scoop clean. Clean it by using a neutral cleaner and rinse thoroughly.
- * Close the door after removing ice to prevent entrance of dirt, dust or insects into the storage bin.

1. START UP

The installer will normally commission the icemaker to start the automatic icemaking process. To ensure continuous operation, make sure that:

- * The water supply tap is on, and
- * The icemaker is connected to the power supply.

2. PREPARING THE ICEMAKER FOR LONG STORAGE

NOTICE

This icemaker will not work at subfreezing temperatures. To prevent damage to the water supply line, drain the icemaker when air temperature is below zero.

⚠ HYGIENE

When shutting down the icemaker for two or more days, drain the icemaker to prevent contamination in the water circuit.

- 1) Unplug the icemaker or disconnect the power supply.
- 2) Close the water supply tap, and remove the inlet hose.
- 3) Remove all ice from the storage bin, and clean the bin.
- 4) Ask for draining of the icemaker by professional qualified personnel.

III. MAINTENANCE

1. CLEANING

⚠ WARNING

Before carrying out any cleaning or maintenance operations, unplug the icemaker from the electrical supply network.

This appliance must not be cleaned by use of a water jet.

⚠ CAUTION

When using a neutral cleaner or sodium hypochlorite, thoroughly read and understand the instructions provided to prevent potential health problems.

NOTICE

Ask a trained service person to clean and sanitise the icemaker water system at least twice a year and to check and clean the condenser at least once a year.

To prevent possible damage, do not clean the plastic parts with water above 40°C or in a dishwasher.

[a] Machine and Bin Exterior

Wipe the exterior at least once per week with a clean, soft cloth. Use a damp cloth containing a neutral cleaner to wipe off grease or dirt.

[b] Scoop and Storage Bin Handle Cleaning/Sanitisation (Daily)

1) Either mix 1 litre of water with 4 ml of 5.25% sodium hypochlorite solution in a suitable container, or the recommended Hoshizaki sanitiser as directed.

2) Soak the scoop in the solution for more than 3 minutes. Rinse thoroughly, and shake to remove surplus liquid.

Note: Using a cloth to dry may re-contaminate.

3) Use a neutral cleaner to wash the storage bin handle. Rinse thoroughly.

4) Soak a clean cloth with the sanitising solution, and wipe the handle. Use fresh water and a clean cloth to rinse/dry.

[c] Storage Bin Interior Cleaning/Sanitisation (Weekly)

1) Open the storage bin door, and remove all ice.

Note: Hoshizaki recommends various types of storage bin for the icemaker which vary in size and design. The following instructions are therefore for general guidance only.

2) Remove the thumbscrews securing the baffle.

3) Remove the baffle from the bin.

4) Wash the bin liner and baffle with a neutral non-abrasive cleaner. Rinse thoroughly.

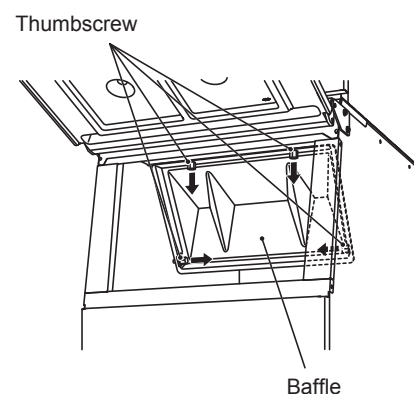
5) Either mix 5 litres of water with 18 ml of 5.25% sodium hypochlorite solution in a suitable container, or the recommended Hoshizaki sanitiser as directed.

6) Soak a clean sponge or cloth with the solution, and wipe the bin liner surfaces and baffle.

7) Refit the baffle and thumbscrews. Wipe the surface of the bin door and thumbscrews with the solution. Close the bin door.

8) The remaining solution can be used to sanitise utensils.

Note: Do not wipe dry or rinse after sanitising, but allow to air dry.

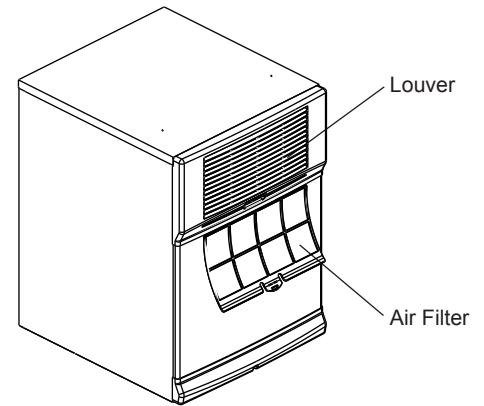


ENGLISH

[d] Air Filter

Plastic mesh air filters remove dirt or dust from the air, and keep the condenser from getting clogged. If the filters get clogged, the icemaker's performance will be reduced. Remove and clean the air filter(s) at least twice per month:

- 1) Slide the air filter off the louver.
- 2) Clean the air filter by using a vacuum cleaner. When severely clogged, use warm water and a neutral cleaner to wash the air filter.
- 3) Rinse and dry the air filter thoroughly.



NOTICE

After cleaning, be sure to place the air filter back in position.

2. BEFORE CALLING FOR SERVICE

⚠ WARNING

Do not damage the refrigerant circuit.

If the icemaker does not work properly or does not work at all, before calling for service, check that:

- * The power is supplied to the unit.
- * The water is turned on.
- * The air filter is clean.

For further assistance or advice, contact your local Hoshizaki service agent.

3. DISPOSAL

Comply with local regulations regarding disposal of this appliance and its refrigerant gas. Before you scrap the appliance, take off the door to prevent children trapped.

4. WARRANTY

Hoshizaki warrants to the original owner/user that all Hoshizaki branded products shall be free of defects in material and/or workmanship for the duration of the "warranty period". The warranty shall be effective for two years from the date of installation. Hoshizaki's liability under the terms of the warranty are limited and shall exclude routine servicing, cleaning, essential maintenance and/or repairs occasioned by misuse and installations not in accordance with Hoshizaki guidelines.

Warranty repairs should be completed by an approved Hoshizaki dealer or service agency using genuine Hoshizaki components.

To obtain full details of your warranty and approved service agency, please contact your dealer/supplier, or the nearest Hoshizaki Service office.

SPECIFICATIONS

Model	IM-220AA	IM-220AWA
Type	Air-cooled, cube ice	Water-cooled, cube ice
Power Supply	1 phase 220 - 240V 50Hz	1 phase 220 - 240V 50Hz
Electric Consumption	950W (ambient 32°C, water 21°C)	870W (ambient 32°C, water 21°C)
Ice Production per 24h	190kg (5mm) / 220kg (15mm) (ambient 10°C, water 10°C)	200kg (5mm) / 220kg (15mm) (ambient 10°C, water 10°C)
Dimensions	560mm(W) x 639mm(D) x 775mm(H)	560mm(W) x 639mm(D) x 775mm(H)
Refrigerant	R404A, 500g	R404A, 400g
Weight	Net: 69kg (Gross: 76kg)	Net: 69kg (Gross: 76kg)
Ambient Temp	1 - 40°C	1 - 40°C
Water Supply Temp	5 - 35°C	5 - 35°C
Water Supply Pressure	0.07 - 0.78 MPa (0.7 - 8 bar)	0.07 - 0.78 MPa (0.7 - 8 bar)
Voltage Range	Rated voltage \pm 6%	Rated voltage \pm 6%

联系人:

星崎冷热机械(上海)有限公司
上海市静安区天目西路128号
嘉里企业中心第一座501室 邮编: 200070
电话: +86 21 5228-8181
传真: +86 21 5228-0113



专用微信公众号

星崎香港有限公司
香港九龍觀塘巧明街95號世達中心17樓G室
电话: +852 2866-2108
传真: +852 2866-2109

Hoshizaki Singapore Pte Ltd
18 Boon Lay Way #07-142 Tradehub 21, Singapore 609966
Tel: +65 6225-2612
Fax: +65 6225-3219

Contact:

Hoshizaki Shanghai Co., Ltd.
Room 501, Tower 1, Kerry Enterprise Centre, 128 Tianmu Road West,
Jing'an District, Shanghai, China 200070
Tel: +86 21 5228-8181
Fax: +86 21 5228-0113

Hoshizaki Hong Kong Co., Limited
Unit G, 17/F, World Tech Center, No. 95 How Ming Street,
Kwun Tong, Kowloon, Hong Kong
Tel: +852 2866-2108
Fax: +852 2866-2109

Hoshizaki Singapore Pte Ltd
18 Boon Lay Way #07-142 Tradehub 21, Singapore 609966
Tel: +65 6225-2612
Fax: +65 6225-3219

生产商:

星崎电机(苏州)有限公司
江苏省苏州工业园区青丘街15号 邮编: 215126
电话: +86 512-62807850
传真: +86 512-62807860

Manufacturer:

HOSHIZAKI (SUZHOU) CO., LTD.
No. 15 Qingqiu Street, Suzhou Industrial Park, Suzhou 215126 China
Tel: +86 512-62807850
Fax: +86 512-62807860

HOSHIZAKI